

SPIROL®

HIGH PERFORMANCE CARD LOCK & EJECTOR CLIP PINS

SPIROL® Series 880 Coiled Spring Pins

The flexibility of the **Series 880 Coiled Spring Pin** makes it the ideal hinge pin for PC board card lock and ejector mechanisms. The Coiled Pin simplifies the design and manufacturing processes. The quality of the hinge is unsurpassed by any other fastening method due to the low insertion force and compression of the pin during and after installation. The pin's uniform radial spring force results in a controlled hinge movement that remains consistent throughout the life of the assembly.

The Coiled Pin offers a wide range of benefits over other types of components used as hinge pins.

Features/Benefits:

Flexible

- Unlike any other pin, the Coiled Pin absorbs forces to preserve joint integrity and prevent cracked hinges throughout the life of the assembly.
- The Coiled Pin conforms to the widest hole tolerance of any press-fit pin in the industry, and does not damage the plastic to retain itself.

Self Retaining

- No secondary operations are required for retention. Simply insert the pin into the hole.

Corrosion Resistant

- The Coiled Pins are manufactured from 302/304 stainless steel so they will not rust in the assembly.

Conductive for Manual or Automatic Installation

- Regardless of how the pin is installed, the pin installs easily with low insertion forces. Orientation is not required.

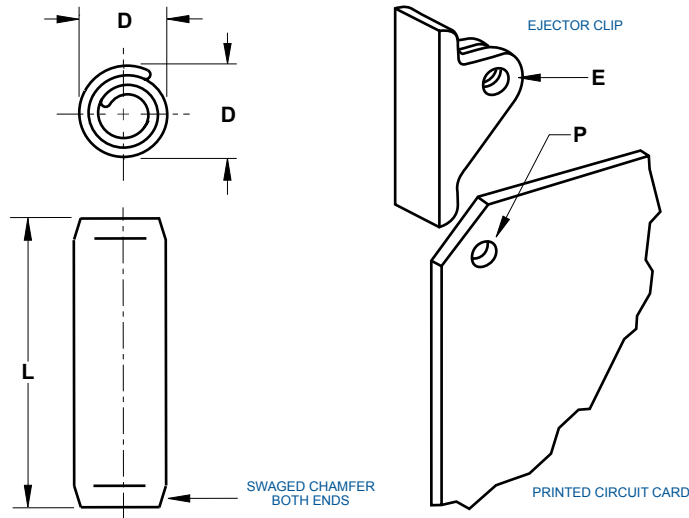


Can also be used
as a retaining pin.





High Performance Card Lock & Ejector Clip Pins



DIMENSIONAL DATA — INCH

Nominal Diameter	D Pin Diameter		E Recommended Hole Size in Ejector Clip	P Recommended Hole Size in PC Card	L Standard Lengths Tolerances ± .010				
	Min.	Max.			.250	.312	.500	.750	1.000
.062	.067	.073	.062/.065	.066 minimum					
.094	.099	.106	.094/.097	.098 minimum					
.125	.131	.139	.125/.129	.131 minimum					
.156	.163	.172	.156/.160	.162 minimum					

DIMENSIONAL DATA — METRIC

Nominal Diameter	D Pin Diameter		E Recommended Hole Size in Ejector Clip	P Recommended Hole Size in PC Card	L Standard Lengths Tolerances ± 0.25				
	Min.	Max.			6	8	12	20	24
1.5	1.62	1.75	1.5/1.6	1.63 minimum					
2.5	2.65	2.82	2.5/2.6	2.63 minimum					
3	3.15	3.35	3/3.1	3.15 minimum					
4	4.2	4.45	4/4.12	4.17 minimum					

To Order: CLDP, Nominal Diameter x Length, Series Number

Example: CLDP .062 x .500 SER 880

Please refer to www.SPIROL.com for current specifications and standard product offerings.

SPIROL offers complimentary Application Engineering support! We will assist on new designs as well as help resolve issues, and recommend cost savings on existing designs. Let us help by visiting [Application Engineering Services](#) on SPIROL.com.

Technical Centers

Americas **SPIROL International Corporation**
30 Rock Avenue
Danielson, Connecticut 06239 U.S.A.
Tel. +1 860 774 8571
Fax. +1 860 774 2048

SPIROL Shim Division
321 Remington Road
Stow, Ohio 44224 U.S.A.
Tel. +1 330 920 3655
Fax. +1 330 920 3659

SPIROL Canada
3103 St. Etienne Boulevard
Windsor, Ontario N8W 5B1 Canada
Tel. +1 519 974 3334
Fax. +1 519 974 6550

SPIROL Mexico
Avenida Avante #250
Parque Industrial Avante Apodaca
Apodaca, N.L. 66607 Mexico
Tel. +52 81 8385 4390
Fax. +52 81 8385 4391

SPIROL Brazil
Rua Mafalda Barnabé Soliane, 134
Comercial Vitória Martini, Distrito Industrial
CEP 13347-610, Indaiatuba, SP, Brazil
Tel. +55 19 3936 2701
Fax. +55 19 3936 7121

Europe

SPIROL United Kingdom
17 Princewood Road
Corby, Northants
NN17 4ET United Kingdom
Tel: +44 (0) 1536 444800
Fax: +44 (0) 1536 203415

SPIROL France
Cit  de l'Automobile ZAC Croix Blandin
18 Rue L na Bernstein
51100 Reims, France
Tel: +33 (0) 3 26 36 31 42
Fax: +33 (0) 3 26 09 19 76

SPIROL Germany
Ottostr. 4
80333 Munich, Germany
Tel: +49 (0) 89 4 111 905 71
Fax: +49 (0) 89 4 111 905 72

SPIROL Spain
Plantes 3 i 4
Gran Via de Carles III, 84
08028, Barcelona, Spain
Tel/Fax: +34 932 71 64 28

SPIROL Czech Republic
Evropsk 2588 / 33a
160 00 Prague 6-Dejvice
Czech Republic
Tel: +420 226 218 935

SPIROL Poland
ul. Solec 38 lok. 10
00-394, Warsaw, Poland
Tel. +48 510 039 345

Asia Pacific **SPIROL Asia Headquarters**
1st Floor, Building 22, Plot D9, District D
No. 122 HeDan Road
Wai Gao Qiao Free Trade Zone
Shanghai, China 200131
Tel: +86 (0) 21 5046-1451
Fax: +86 (0) 21 5046-1540

SPIROL Korea
16th Floor, 396 Seocho-daero,
Seocho-gu, Seoul, 06619, South Korea
Tel: +82 (0) 10 9429 1451

e-mail: info@spirol.com

SPIROL.com