

SPIROL®

TWIST-LOK™ PINS

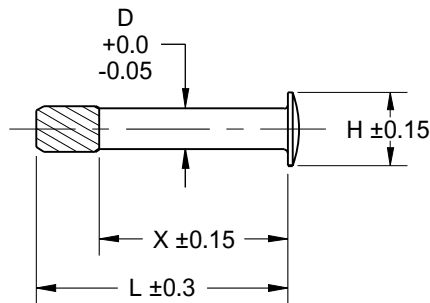
SPIROL® Series RH600 Pins

Twist-Lok™ Pins replace costly screw machined pins and eliminate problematic installation of screws and rivets.

The helical knurl minimizes stress during installation by rotating as it engages the hinge.

Corrosion-resistant material and a rounded burr-free head improve installed appearance.

Axial and radial forces induced in the hinge eliminate the tendency for the pin to creep and maintain hinge tension.



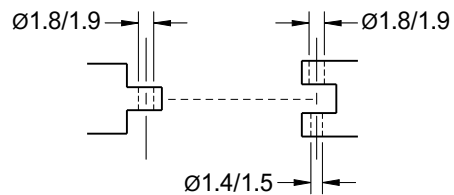
DIMENSIONAL DATA — METRIC

Diameter D	Head Diameter H	Length L	Length X
1.60	2.85	6	4.5
		8	6
		10	7.5

STANDARD MATERIAL:

Nickel Silver UNS C75200 / CuNi18Zn20 (N)

RECOMMENDED HOLE SIZE



Series RH600 Twist-Lok™ Pins are made to order.

C75200 Nickel Silver is a copper alloy that is used for lightly loaded applications where cosmetic finish and corrosion resistance are important. This material is easy to work with and is a cost effective alternative to austenitic stainless steel or plating.

To Order: SLDP (Pin Size)x(Length)(Material)(Finish)(Series)
Example: SLDP 1.60 x 8 NK RH600

Contact SPIROL for Design Assistance!
www.SPIROL.com/technical-support





**Innovative fastening solutions.
Lower assembly costs.**

Technical Centers

Americas **SPIROL International Corporation**
30 Rock Avenue
Danielson, Connecticut 06239 U.S.A.
Tel. +1 860 774 8571
Fax. +1 860 774 2048

SPIROL Shim Division
321 Remington Road
Stow, Ohio 44224 U.S.A.
Tel. +1 330 920 3655
Fax. +1 330 920 3659

SPIROL Canada
3103 St. Etienne Boulevard
Windsor, Ontario N8W 5B1 Canada
Tel. +1 519 974 3334
Fax. +1 519 974 6550

SPIROL Mexico
Avenida Avante #250
Parque Industrial Avante Apodaca
Apodaca, N.L. 66607 Mexico
Tel. +52 81 8385 4390
Fax. +52 81 8385 4391

SPIROL Brazil
Rua Mafalda Barnabé Soliane, 134
Comercial Vitória Martini, Distrito Industrial
CEP 13347-610, Indaiatuba, SP, Brazil
Tel. +55 19 3936 2701
Fax. +55 19 3936 7121

Europe **SPIROL United Kingdom**
17 Princewood Road
Corby, Northants
NN17 4ET United Kingdom
Tel: +44 (0) 1536 444800
Fax: +44 (0) 1536 203415

SPIROL France
Cit  de l'Automobile ZAC Croix Blandin
18 Rue L na Bernstein
51100 Reims, France
Tel: +33 (0) 3 26 36 31 42
Fax: +33 (0) 3 26 09 19 76

SPIROL Germany
Ottostr. 4
80333 Munich, Germany
Tel: +49 (0) 89 4 111 905 71
Fax: +49 (0) 89 4 111 905 72

SPIROL Spain
Plantes 3 i 4
Gran Via de Carles III, 84
08028, Barcelona, Spain
Tel/Fax: +34 932 71 64 28

SPIROL Czech Republic
Evropsk 2588 / 33a
160 00 Prague 6-Dejvice
Czech Republic
Tel: +420 226 218 935

SPIROL Poland
ul. Solec 38 lok. 10
00-394, Warsaw, Poland
Tel. +48 510 039 345

Asia Pacific **SPIROL Asia Headquarters**
1st Floor, Building 22, Plot D9, District D
No. 122 HeDan Road
Wai Gao Qiao Free Trade Zone
Shanghai, China 200131
Tel: +86 (0) 21 5046-1451
Fax: +86 (0) 21 5046-1540

SPIROL Korea
16th Floor, 396 Seocho-daero,
Seocho-gu, Seoul, 06619, South Korea
Tel: +82 (0) 10 9429 1451

e-mail: info@spirol.com

SPIROL.com



Coiled Spring Pins



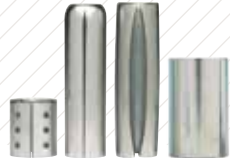
Slotted Spring Pins



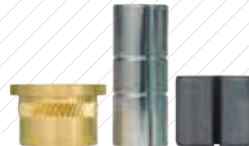
Solid Pins



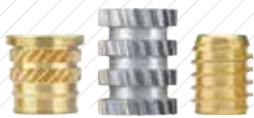
**Alignment Dowels /
Bushings**



**Spacers & Rolled
Tubular Components**



**Compression
Limiters**



**Threaded Inserts
for Plastics**



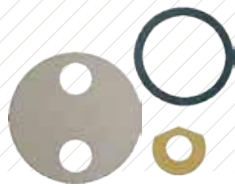
Railroad Nuts



Disc Springs



**Precision Shims &
Thin Metal Stampings**



Precision Washers



**Parts Feeding
Technology**



**Pin Installation
Technology**



**Insert Installation
Technology**



**Compression Limiter
Installation Technology**

Please refer to www.SPIROL.com for current specifications and standard product offerings.

SPIROL offers complimentary Application Engineering support! We will assist on new designs as well as help resolve issues, and recommend cost savings on existing designs. Let us help by visiting **Application Engineering Services** on **SPIROL.com**.